



# 900 Series TPED Trailer Manifold

## Applications

High flow TPED trailer load/unload manifold.

Suitable for Hydrogen, CNG, Biogas, Helium, Nitrogen and other gases on enquiry.



TM908-6S6TCDW-G000

## Materials

Item	Part	Material
1	Body & Cap	316 Stainless Steel
2	Ball	316 Stainless Steel
3	Stem	316 Stainless Steel
4	Seats	B16 PEEK
5	Thrust washer	Delrin

Item	Part	Material
6	Gland	Delrin
7	O-rings	Viton
8	Backup rings	Nitrile
9	Handle	304 Stainless Steel

## Product Information

Type tested to ISO 23826.

Complies with TPED 2010/35/EU

All products are manufactured to ISO 9001 standards.

SAE threads conform to SAE J1926.

Other threads available on request

## Features & Benefits

Easy to service, kits readily available.

Anti blow-out stem.

Quarter-turn handle.

Incorporated vent valve.

Manufactured from certified bar stock.

Can be manufactured to your specifications, contact us for details.

Lockout system available to prevent accidental operation of valve.



# 900 Series TPED Trailer Manifold

## Product Specification

Part Code	Size (DN) Inch (mm)	Handle Lock out	Mass lb (kg)	Lowest Operating Pressure bar (psi) *	Working Pressure (WP) bar (psi) **	Test Pressure (PT) bar (psi) ***	Min. Temp. °F (°C)	Max Temp. °F (°C)	Cycles Before Rekit*	Stem Open Torque ft-lb (Nm)**	Cv	Service Kit
TM908-6S6TCDW-G000	1 (25.4)	No	13.2 (6)	6.9 (100)	385 (5584)	462 (6700)	-40 (-40)	149 (65)	2000	33.2 (45)	15.8	TM908-SK1-S8

\* Lowest settled gas pressure for which the ball valve is designed. This is the minimum pressure that the product will hold constant bubble tight seal.

\*\* Settled pressure of a compressed gas at a uniform reference temperature of 15°C in a full pressure receptacle for which the valve is intended.

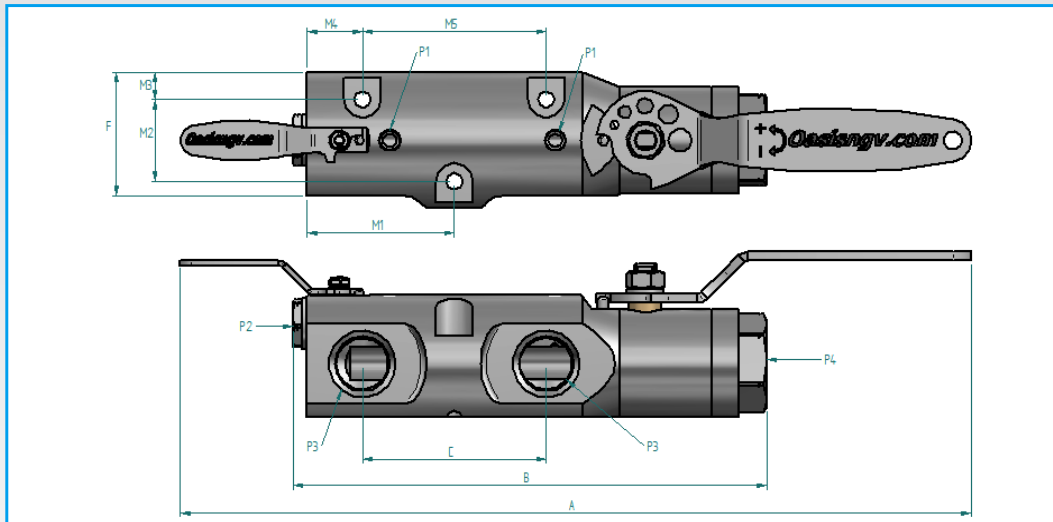
\*\*\* Minimum pressure applied to the valve during testing

^ The temperature's and cycles stated depend on the system conditions and may not be achievable in all situations.

Contact Oasis for further information.

^^ Maximum opening torque at maximum operating pressure.

## Product Dimensions



## Product Dimensions - Inch(mm)

Part Code	A	B	C	D	E	F	PORT P1	PORT P2	PORT P3	PORT P4
TM908-6S6TCDW-G000	16.94" (430)	10.15" (258)	3.93" (100)	3.6" (91.5)	3.4" (86)	2.95" (75)	1/4" NPT Female	1/4" NPT Female	1 5/16-12" SAE Female	1 5/16-12" SAE Female

Other connection configurations available on request, contact Oasis for further information.

## Mounting Dimensions: Inch (mm)

Part Code	M1	M2	M3	M4	M5	Mounting hole diameter
TM908-6S6TCDW-G000	3.15" (80)	1.77" (45)	.59" (15)	1.18" (30)	3.94" (100)	.35" (9)

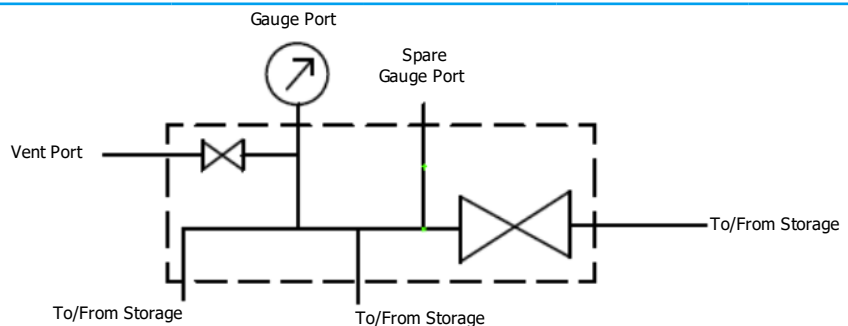
## P&ID

P1 = Gauge Port/Spare Gauge Port

P2 = Vent Port

P3 = To/From Storage

P4 = To/From Storage



We reserve the right to modify product specifications without prior notice.