

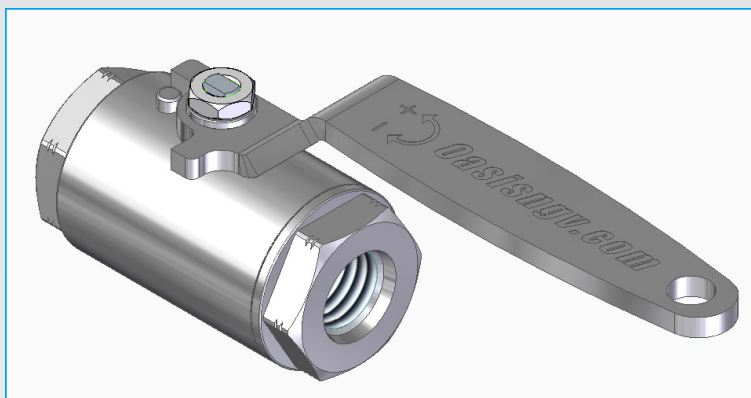


900 Series Ball Valves

Applications

High Flow ball valves for Compressors, Dispensers, Priority Panels, Isolation valves, Gas storage.

Suitable for Hydrogen, CNG, Biogas, Helium, Nitrogen.



BV904-6S4PCDW-G000

Materials

Item	Part	Material
1	Body & Cap	316 Stainless Steel
2	Ball	316 Stainless Steel
3	Stem	XM19 Stainless Steel
4	Seats	B16 PEEK
5	Thrust washer	Delrin

Item	Part	Material
6	Gland	Delrin
7	O-rings	Viton
8	Backup rings	Nitrile
9	Handle	304 Stainless Steel

Product Information

Type tested to ISO23826.

Complies with PED 2014/68/EU.

All products are manufactured to ISO 9001 standards.

SAE threads conform to SAE J1926.

Other connections available on request.

Features & Benefits

Easy to service, kits readily available.

Quarter turn handle.

Anti blow-out stem.

Manufactured from certified bar stock.

Lockout system available to prevent accidental operation of valve.

Actuated options available.

TPED version available.



900 Series Ball Valves

SAE Product Specification

Part Code	Size (DN) Inch	Mass lb (kg)	Lowest Operating Pressure bar (psi) *	Working Pressure (WP) bar (psi) **	Test Pressure (PT) bar (psi) ***	Min. Temp. °F (°C)	Max Temp. °F (°C)	Cycles Before Rekit [^]	Stem Open Torque ft-lb (Nm) ^{^^}	Cv	Service Kit
BV904-6S4PCDW-G000	1/2"	1.5 (0.7)	6.9 (100)	385 (5584)	462 (6700)	-40 (-40)	149 (65)	2000	14.7 (20)	13.1	BV900-SK1-S4

* Lowest settled gas pressure for which the ball valve is designed. This is the minimum pressure that the product will hold constant bubble tight seal.

** Settled pressure of a compressed gas at a uniform reference temperature of 15°C in a full pressure receptacle for which the valve is intended.

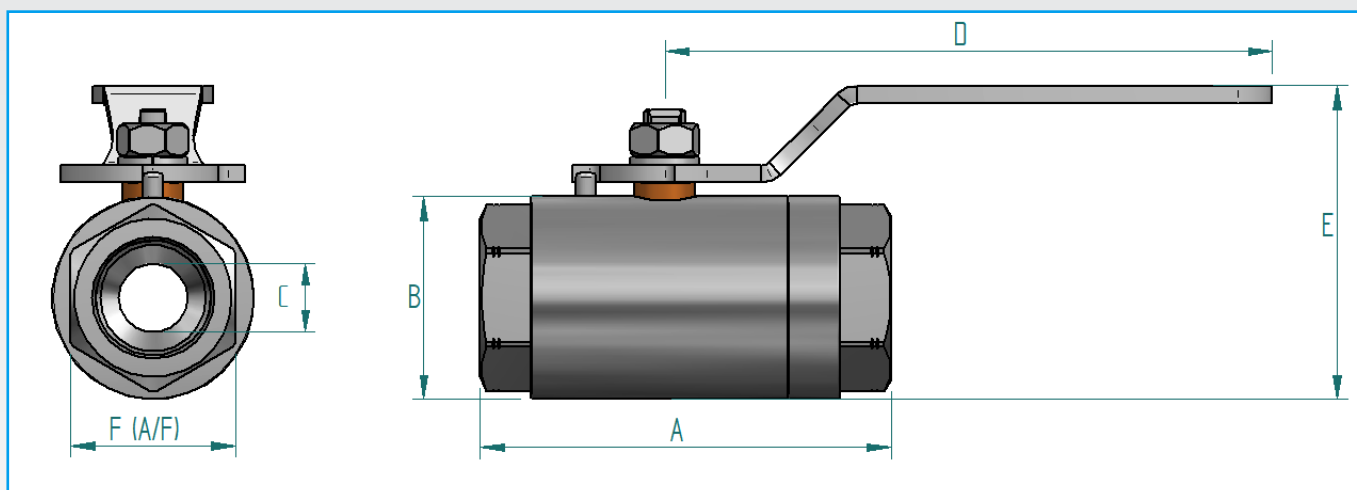
*** Minimum pressure applied to the valve during testing

[^] The temperature's and cycles stated depend on the system conditions and may not be achievable in all situations.

Contact Oasis for further information.

^{^^} Maximum opening torque at maximum operating pressure.

Product Dimensions



SAE Product Dimensions - Inch(mm)

Part Code	Size (DN) Inch	A	B	∅ C	D	E	Port Thread	F (A/F)
BV904-6S4PCDW-G000	1/2"	3 (75.5)	1.6 (40)	.5 (13)	5.7 (144)	2.7 (69)	3/4-16 SAE FEMALE	1.3 (33.4)

Other sizes and fittings available on request, contact Oasis for further information.